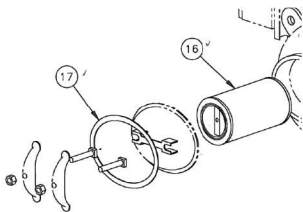




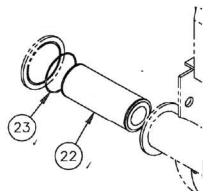
"FES" Compressor Spare Parts



Oil System Components



Description	Part No.
Oil Strainer Model 225E	030-00051B-000
Manway Gasket Neoprene (17)	030-00085C-000
Manway Gasket Neoprene (17)	030-00086C-000
Coalescer Element Super, w/Neoprene O-Ring (ชุดแทน # 030-00613C-010/ 030-00613C-002) (16)	030-00613C-010R



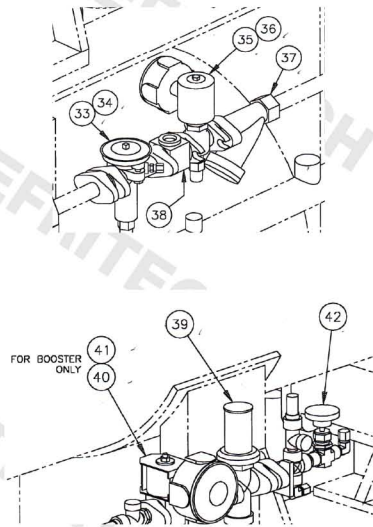
Description	Part No.
Oil Filter Cartridge 6" (22)	030-00097A-000
Filter Cartridge	130-000910-002
O-Ring Gasket for Oil Filter Cover (23)	520-000180-000



"FES" Compressor Spare Parts

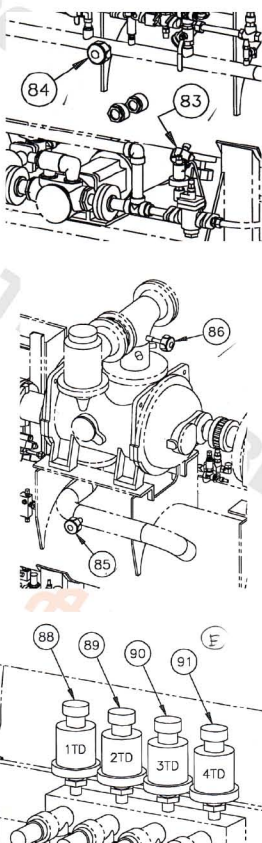


Liquid Injection Components



Description	Part No.
Liquid Injection Sight Glass (38)	030-001200-000
Liquid Injection Strainer (37)	370-000490-000
Thermostat Power Element (34)	370-000540-000
Liquid Injection TX Valve (33)	370-001030-000
Solenoid Coil 120V/50Hz	370-001860-000
Solenoid Coil 240V/1/50-60Hz. (ต่างประเทศเลิกผลิต ต้องเปลี่ยน Valve ทั้งตัว) (36)	370-001870-000
Liquid Injection Solenoid Valve (35)	370-008370-000
4-Way Solenoid Valve, 120/1/60Hz, w/Low Force Coil 5/GPM (ทดแทน 370-012700-005/370-003480-005)	370-013100-005
4-Way Solenoid Valve, 220/1/50Hz, w/Low Force Coil 5/GPM (ทดแทน 370-004890-000)	370-013130-005
Liquid Injection Pressure Reducing Valve (39)	370-000400-000
Needle Valve (42)	370-000410-000
Solenoid Coil 208/230 VAC 50/60Hz., w/Leads (41)	370-007620-230
Hot Gas Solenoid (40)	370-008630-000

Controls and Instrumentation



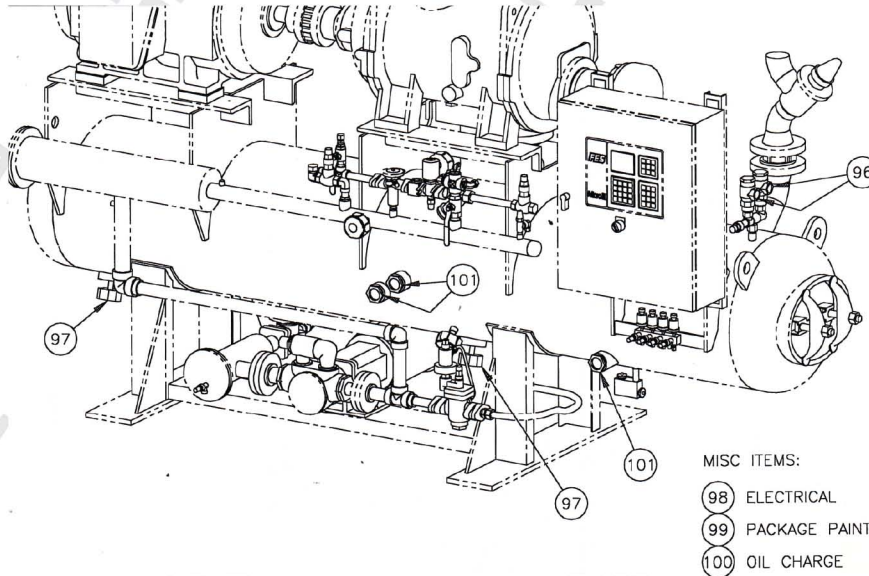
Description	Part No.
Probe L=5.375", Temperature Probe for Micro Unit (Separator Oil, Inlet Oil) (83, 84)	715-00006A-001
Probe L=5.375", Temperature Probe for Micro Unit (Discharge) (85)	715-00006A-001
Probe L=8.375", Temperature Probe for Micro Unit (Suction) (86)	715-00006A-002
Temperture Sensor with DIN Connection	715-005100-102
Pressure Transducer with Cable, 0-100 Psig (88)	745-001500-000
Pressure Transducer with Cable, 0-500 Psig (Discharge, Inlet Oil, Oil Filter Inlet) (89, 90, 91)	745-001510-000
Pressure Transducer 0-500 Psig, 4-20mA Output, 1/4"NPT for G-Force	745-007000-500
Pressure Transducer 0-100 Psia, 4-20mA Output, 1/4"NPT for G-Force (ทดแทน 745-005500-0000)	745-007000-100
Pressure Transducer, 0-100 Psia, 1.5 V, W/O Cable	745-007010-100
Pressure Transducer, 0-500 Psia, 1.5 V, W/O Cable	745-007010-500
Cable for Pressure Transducer	010-02214A-000



"FES" Compressor Spare Parts



Package Trim



Description	Part No.
Oil Separator Sight Glass (101)	030-000720-000
Relief Valve, 300PSI (96)	370-004030-300
Refrigeration Oil No. 1, บรรจุ 208 Liter/Drum (100)	560-000290-055
Oil Heater 1200 Watt, 240V. NEMA 1 (97)	715-002310-000

Miscellaneous Parts

Description	Part No.
Oil, Load /Unlod Assembly G Series 220V (042G0055)	390-004260-B13
Fuse Pico 5 Amp.125V.	715-001130-000
Fuse, Fast Acting for G-Force	715-060150-P25
Supply Power Micro III Assy w/Cable Wire & Surge Suppressors	725-00079C-000
Module AC Input for Microprocessor, 120/240 V (for Micro III)	725-000180-002
Module AC Output for Microprocessor, 120/240 V (for Micro II, IIE & III)	725-000190-000
Input Module 120 VAC Micromaster	725-002700-000
Output Module Micromaster	725-002710-000
Module, Output 24-280 VAC with LED and Fuse for G-Force	725-060210-004
Module, Input 180-240 VAC with LED for G-Force	725-060220-003
Potention Meter Assembly for HTK/HDN Compressor (ทดแทน 726-00566A-000 / 726-06107A-000)	725-06107A-000